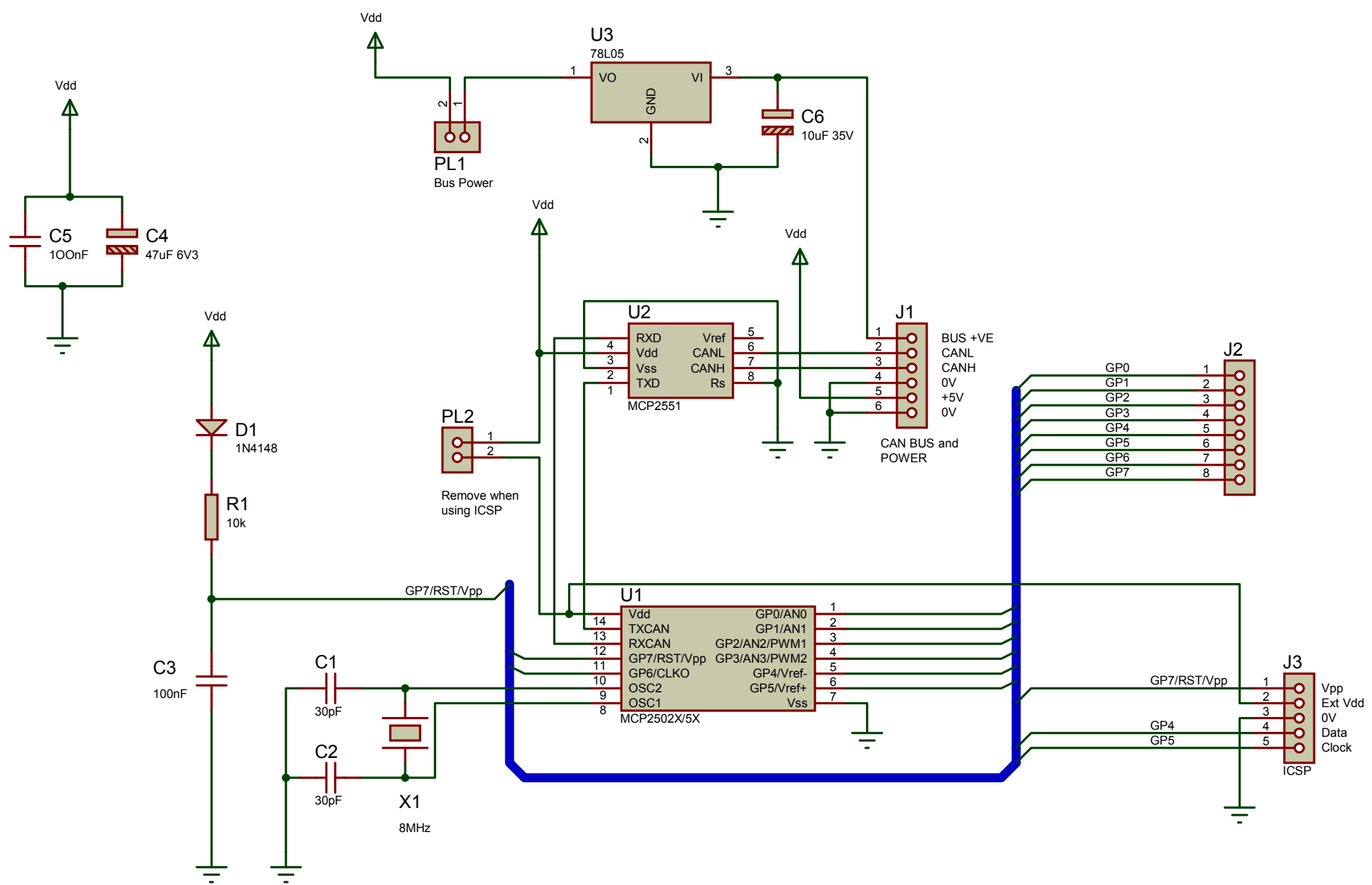


POWERLITE SYSTEMS www.powerlite.co.uk	
can_node1.DSN	Can Node 1
Created: 23/01/06	Modified: 02/05/06
Artwork:	Customer No:



POWERLITE SYSTEMS www.powerlite.co.uk	
can_node2.DSN	Can Node 2
Created: 25/01/06	Modified: 02/05/06
Artwork:	Customer No: