

# PICBLOCK MC 28AD-USB

The MC28AD -USB is designed for use with 28 pin Microchip chips with the emphasis on connectivity and versatility.

Features include:

- ◆ All I/O lines available
- ◆ 850mA open collector outputs
- ◆ ICSP header
- ◆ USB connection
- ◆ RS232 connector for serial comms or boot -loading
- ◆ Independent pull -up options on the O/C outputs
- ◆ Onboard reset button and external restart option via RS232
- ◆ Onboard regulator or external 5V power option
- ◆ USB powered facility

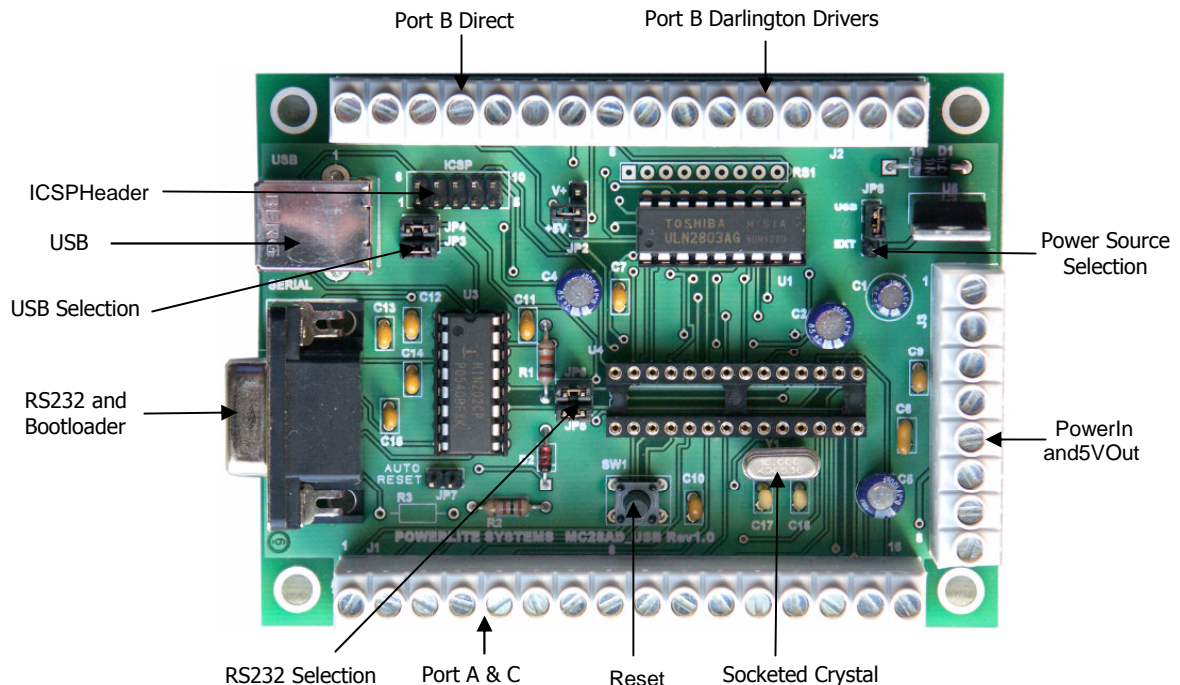
All I/O lines can be utilised and configured as the end user requires including analogue and other special functions associated with some of the 28 pin Microchip devices. The 8 O/C outputs provide power drive capability on Port B with optional pull -up resistors. Port B is also available direct.

The RS232 connection allows bootloading and integration with a PC based system further enhancing design possibilities.

When using a suitable PIC chip, USB 2.0 connectivity is available via a USB -B on board socket.

Compact footprint of only 102x76mm.

As with other products in the range the MC28AD -USB is a completely assembled board utilising quality components on a PTH ground planed PCB requiring only the addition of a 28 pin pic chip and the end user's programme. Ideal for development, it can also be utilised as part of a finished system and is also an ideal low -cost replacement for PLC modules.



O/C output current sink max	500ma (see ULN2803 datasheet)
DC supply voltage range	9-24 or 5VDC regulated
Socketed crystal	10MHz supplied
Dimensions	102x76x23 high
Mounting	4*4mm sholes

**P O W E R L I T E S Y S T E M S**

11 Cowick Road Exeter EX2 9BE

Tel: 01392 438199 Fax: 01392 411654 Email: sales@plite.co.uk Web: www.plite.co.uk